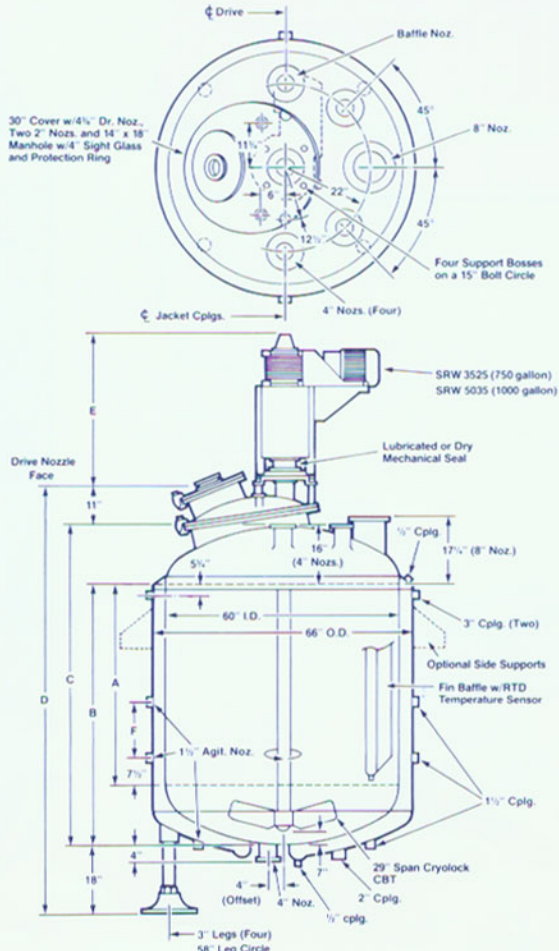


# RA-60

## DIMENSIONS

750 gal.      1000 gal.

A	52"	72"
B	67"	87"
C	82"	102"
D	115 1/4"	135 1/4"
E SRW w/seal	39"	47"
F	14"	20"



## RA SERIES STANDARD SPECIFICATIONS

SPECIFICATIONS	RA48		RA60		RA78		RA96	
	300	500	750	1000	1500	2000	3000	4000
<b>CAPACITY (gallons)</b>								
Working	300	500	750	1000	1500	2000	3000	4000
Per Inch of S.S.	7.83	7.83	12.24	12.24	20.69	20.69	31.33	31.33
Bottom Head	63	63	122	122	269	269	501	501
Top Head	63	63	122	122	269	269	501	501
To Bottom of Impeller	17	17	35	35	61	61	96	96
To Top of Impeller Hub	59	59	100	100	161	161	336	336
To Bottom of Baffle	96	96	181	181	316	316	619	619
Jacket	75	110	141	171	255	301	366	453

### HEATING AREA (square feet)

Jacket	53	80	96	122	158	191	236	300
Bottom Head	17.4	17.4	27.1	27.1	45.8	45.8	69.4	69.4
Per Inch of S.S.	1.05	1.05	1.31	1.31	1.70	1.70	2.09	2.09

### DESIGN PRESSURE

Internal @ 450°F	100/FV	100/FV	100/FV	100/FV	100/FV	100/FV	100/FV	100/FV
Jacket @ 450°F	100	100	90	90	90	90	90	90

### STEEL THICKNESS (inches)

#### Inner Vessel

Top Head	5/8	5/8	5/8	5/8	3/4	3/4	15/16	15/16
Shell	5/8	5/8	5/8	11/16	13/16	13/16	1	1
Bottom Head	5/8	5/8	5/8	5/8	3/4	3/4	15/16	15/16

#### Jacket

Shell	5/16	5/16	3/8	3/8	7/16	7/16	1/2	1/2
Bottom Head	3/8	3/8	7/16	7/16	1/2	1/2	5/8	5/8

### WEIGHT (pounds)

Net - No Accessories	3400	4550	6350	7600	12350	13150	21550	26100
W/ SRW Drive, Agit, Baffle	5100	6350	8450	10650	15550	16450	26550	32100
Add For Shipment	150	150	200	200	400	450	900	900

### Design features

- Heavy-duty forged nozzles minimize distortion, reduce time-consuming gasket shimming.
- Split backing flanges, Class 150, supplied with all nozzles. Flanges rated Class 300 also available.
- 3000-psi series jacket couplings, baffled to prevent jacket media from impinging directly on vessel wall. Flanged jacket connections are optional.
- Conventional jacket equipped with agitating nozzles provides optimum liquid circulation in jacket. Optional half-pipe jacket can be either parallel-path or zoned.
- Adjustable pipe-leg supports are supplied on 300-through 4000-gallon. Side supports are optional.
- A complete set of Pfaudler® CRT envelope gaskets with stainless steel inserts is supplied with each vessel.
- CryoLock curved blade turbine is provided as standard. One piece retreat curve impellers and other CryoLock configurations are available.